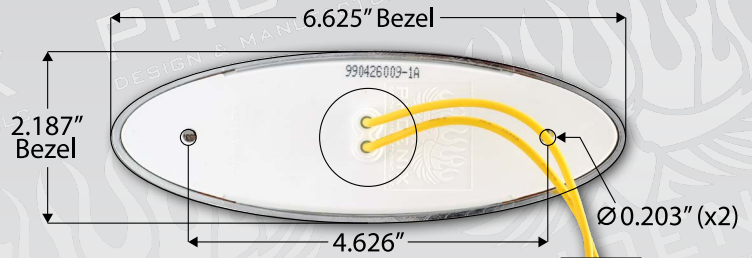


Phoenix Lights

P1 LED LIGHTS W/ .180 BULLETS

P1		P201112	LIGHT KIT P1 AMBER LED W/ BEZEL
P1		P201114	LIGHT KIT P1 AMBER LED CLEAR LENS W/ BEZEL
P1		P201116	LIGHT KIT P1 AMBER LED SMOKE LENS W/ BEZEL
P1		P201113	LIGHT KIT P1 RED LED W/ BEZEL
P1		P201115	LIGHT KIT P1 RED LED CLEAR LENS W/ BEZEL
P1		P201117	LIGHT KIT P1 RED LED SMOKE LENS W/ BEZEL
P1		P201111	LIGHT BEZEL KIT P1 CHROME PLASTIC
P1		P201110	LIGHT BEZEL KIT P1 BLACK CHROME PLASTIC
P1		P201108	LIGHT BEZEL KIT (4) P1 BLACK CHROME PLASTIC

*Recommended Install Hardware #8 Machine Screw

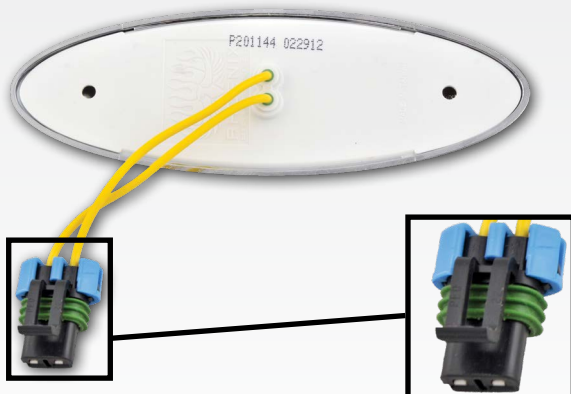


The .180 Bullet connector, is the standard in all products.

P1 LED LIGHTS W/ PACKARD PLUG

P1		P201132	LIGHT KIT P1 AMBER LED PACKARD PLUG W/ BEZEL
P1		P201134	LIGHT KIT P1 AMBER LED CLEAR LENS PACKARD PLUG W/ BEZEL
P1		P201136	LIGHT KIT P1 SMOKE AMBER LED PACKARD PLUG W/ BEZEL
P1		P201133	LIGHT KIT P1 RED LED PACKARD PLUG W/ BEZEL
P1		P201135	LIGHT KIT P1 RED LED CLEAR LENS PACKARD PLUG W/ BEZEL
P1		P201137	LIGHT KIT P1 SMOKE RED LED PACKARD PLUG W/ BEZEL
P1		P201111	LIGHT BEZEL KIT P1 CHROME PLASTIC
P1		P201110	LIGHT BEZEL KIT P1 BLACK CHROME PLASTIC
P1		P201108	LIGHT BEZEL KIT (4) P1 BLACK CHROME PLASTIC

*Recommended Install Hardware #8 Machine Screw



Packard Plug connector

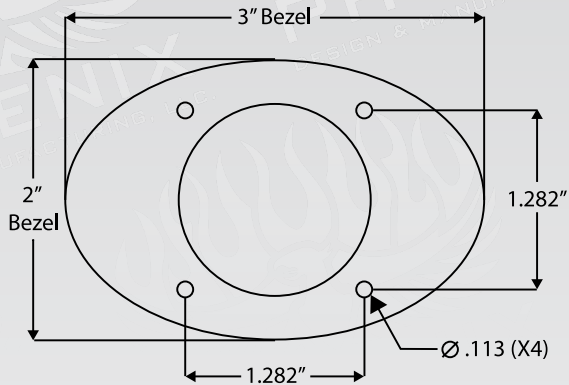


P3 LED LIGHTS W/ .180 BULLETS

Previously used P3 style light with the PL-10 connector is still available for order. Call for details.

P3		P201332	LIGHT KIT P3 AMBER LED W/ BEZEL - .180 BULLET
P3		P201334	LIGHT KIT P3 AMBER LED CLEAR LENS W/ BEZEL - .180 BULLET
P3		P201336	LIGHT KIT P3 AMBER LED SMOKE LENS W/ BEZEL - .180 BULLET
P3		P201333	LIGHT KIT P3 RED LED W/ BEZEL - .180 BULLET
P3		P201335	LIGHT KIT P3 RED LED CLEAR LENS W/ BEZEL - .180 BULLET
P3		P201337	LIGHT KIT P3 RED LED SMOKE LENS W/ BEZEL - .180 BULLET
P3		P201331	LIGHT BEZEL KIT P3 CHROME PLASTIC
P3		P201310	LIGHT BEZEL KIT P3 BLACK CHROME PLASTIC
P3		P201308	LIGHT BEZEL KIT (4) P3 BLACK CHROME PLASTIC

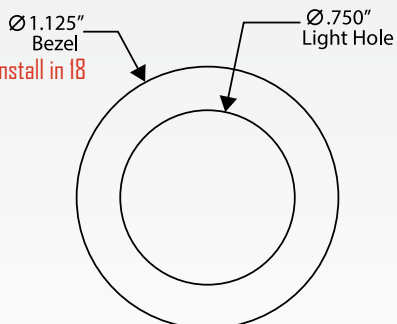
*Hardware Included



3/4" LED LIGHTS

¾ RD		P201711	LIGHT KIT 3/4" RD LED AMBER W/ BEZEL
¾ RD		P201715	LIGHT KIT 3/4" RD LED AMBER SMOKE W/ BEZEL
¾ RD		P201713	LIGHT KIT 3/4" RD LED AMBER CLEAR LENS W/ BEZEL
¾ RD		P201712	LIGHT KIT 3/4" RD LED RED W/ BEZEL
¾ RD		P201716	LIGHT KIT 3/4" RD LED RED SMOKE W/ BEZEL
¾ RD		P201714	LIGHT KIT 3/4" RD LED RED CLEAR LENS W/ BEZEL
¾ RD		P281012	LIGHT BEZEL KIT 3/4" RD SS

* Grommet Designed to Install in 18 Gauge Material



Call us if you don't see what you're looking for!

1-888-789-2550

Phoenix Lights

2" ROUND LED LIGHTS

2" RD		P211013	LIGHT KIT 2" RD AMBER LED W/PL10 TERMINAL
2" RD		P211015	LIGHT KIT 2" RD AMBER LED CLEAR W/PL10 TERMINAL
2" RD		P211012	LIGHT KIT 2" RD RED LED W/PL10 TERMINAL
2" RD		P211014	LIGHT KIT 2" RD RED LED CLEAR W/PL10 TERMINAL
2" RD		P281002	GROMMET KIT 2" RD LED BLACK RUBBER

*Mounts in Panel Thickness up to .250"



2" ROUND INCANDESCENT LIGHTS

2" RD		P211016	LIGHT KIT 2" RD AMBER W/PL10 TERMINAL
2" RD		P211017	LIGHT KIT 2" RD RED W/PL10 TERMINAL
2" RD		P211018	GROMMET KIT 2" RD BLACK RUBBER

*Mounts in Panel Thickness up to .250"



WIRING HARNESSES

P301029	HARNESS "Y" 1/MALE PACKARD 2/FEMALE PACKARD W/LOOM
P301041	HARNESS "Y" 3/FEMALE PACKARD W/LOOM - KW '11+
P301042	HARNESS 1/MALE PACKARD W/6" PIGTAIL BLUNT CUT
P301045	HARNESS 1/FEMALE PACKARD W/10" PIGTAIL BLUNT CUT
P301046	HARNESS 1/180 FEMALE W/8" PIGTAIL BLUNT CUT
P301129	HARNESS KIT "Y" 1/MALE PACKARD 2/FEMALE PACKARD W/LOOM
P301141	HARNESS KIT "Y" 3/FEMALE PACKARD W/LOOM - KW '11+



P301029

"Y" Harness allows the installation of the front and rear air cleaner light panels on a truck without having to modify the trucks factory harness. This harness fits all peterbilt and pre 2011 Kenworth trucks with factory supplied packard plug.

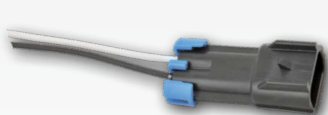


P301045



P301041

"Y" Harness allows the installation of the front and rear air cleaner light panels on a truck without having to modify the trucks factory harness. This harness fits all 2011+ Kenworth trucks with factory supplied packard plug.



P301042



P301046